

• 15P0097Q1 •

SINUS K - PENTA REMOTE MOUNTING THE KEYPAD

MOUNTING GUIDE

Upd. 12/01/06
R. 01

English

- This manual is integrant and essential to the product. Carefully read the instructions contained herein as they provide important hints for use and maintenance safety.
- This device is to be used only for the purposes it has been designed to. Other uses should be considered improper and dangerous. The manufacturer is not responsible for possible damages caused by improper, erroneous and irrational uses.
- Elettronica Santerno is responsible for the device in its original setting.
- Any changes to the structure or operating cycle of the device must be performed or authorized by the Engineering Department of Elettronica Santerno.
- Elettronica Santerno assumes no responsibility for the consequences resulting by the use of non original spare-parts.
- Elettronica Santerno reserves the right to make any technical changes to this manual and to the device without prior notice. If printing errors or similar are detected, the corrections will be included in the new releases of the manual.
- Elettronica Santerno is responsible for the information contained in the original version of the Italian manual.
- The information contained herein is the property of Elettronica Santerno and cannot be reproduced. Elettronica Santerno enforces its rights on the drawings and catalogues according to the law.



**ELETRONICA
SANTERNO**

Elettronica Santerno S.p.A.
Via G. Di Vittorio, 3 - 40020 Casalfiumanese (Bo) Italia
Tel. +39 0542 668611 - Fax +39 0542 668622
www.elettronicasanterno.it sales@elettronicasanterno.it

0. TABLE OF CONTENTS

0. TABLE OF CONTENTS	2
1. GENERAL FEATURES	3
2. MOUNTING	3
2.1. Preparing the Mounting Plate.....	3
2.2. Fixing the Sticky Gasket to the Keypad Frame	4
2.3. Fastening the Metal Brackets.....	4
2.4. Fixing M4 Screws for the Frame and Bracket Fastening	5
2.5. Connecting the Keypad Remoting Wire	5

1. GENERAL FEATURES

Two different items of Remote Mounting the Keypad are available:

ZZ0095699 – Remote Mounting the Keypad kit with 300 cm (120 inches) cable length.

ZZ0095700 – Remote Mounting the Keypad kit with 500 cm (200 inches) cable length.

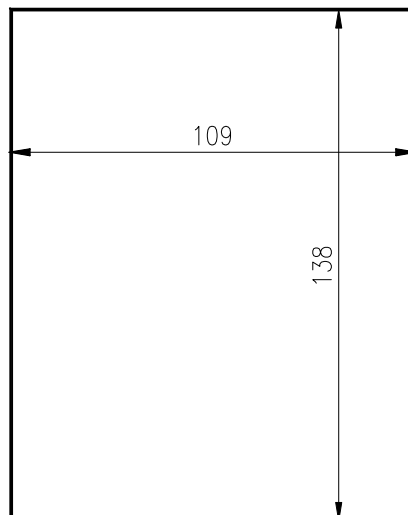
In each kit there are:

- N.1 8-pole, shielded cable for connecting the keypad to the inverter (part number PC1608600, 300 cm length; or part number PC1608800, 500 cm length).
- N.1 keypad frame (part number PI0305014), equipped with an OR-ring in the keypad housing.
- N.1 rubber gasket (part number PI0500650) to be stuck on the frame side which is applied to the mounting plate.
- N.2 metal brackets (part number PM0191300) for the frame fastening to the mounting plate.
- N.4 M4-L16 screws (cross-headed, part number VT0204162) for the frame and bracket fastening to the mounting plate.
- N.4 D3-L8 self-tapping screws for plastic materials (cross-headed, part number VT1056082) for the bracket fastening to the keypad holding frame.

2. MOUNTING

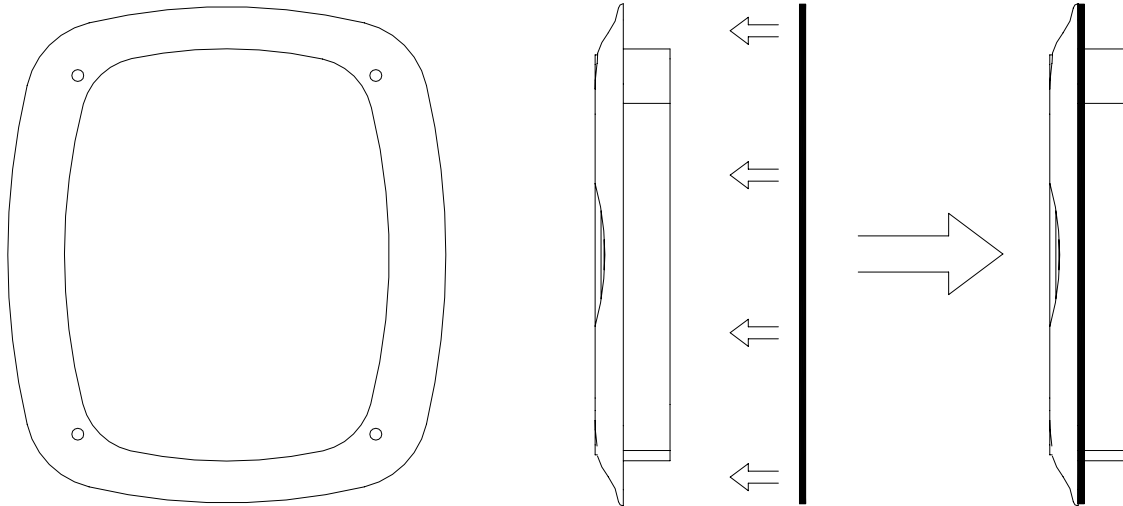
2.1. Preparing the Mounting Plate

A rectangular-shaped opening (as for an enclosure door) is to be made on the mounting plate. Size: 109x138 mm (see figure below).



2.2. Fixing the Sticky Gasket to the Keypad Frame

The figure below shows the sticky gasket (part number PI0500650). Remove the protective film from the sticky side and apply the gasket to the back of the frame. The four holes have to match with the holes pierced on the frame.

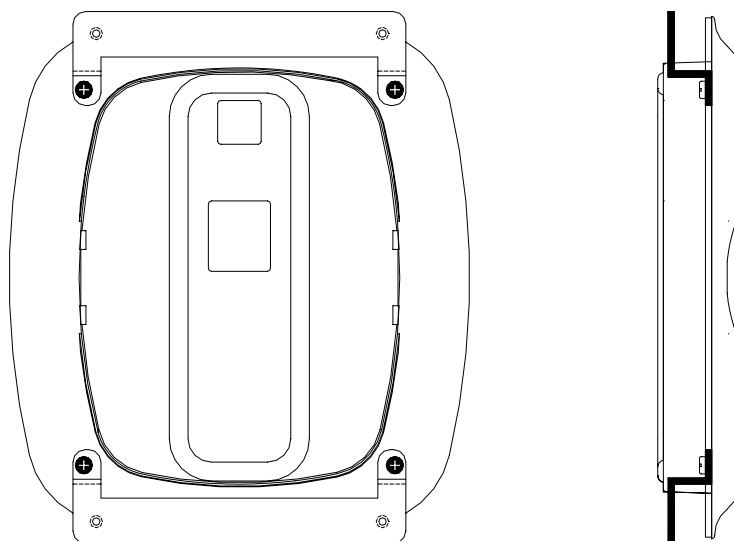


2.3. Fastening the Metal Brackets

Fasten the metal brackets to the keypad frame as shown below. Use 4 self-tapping screws.

IMPORTANT:

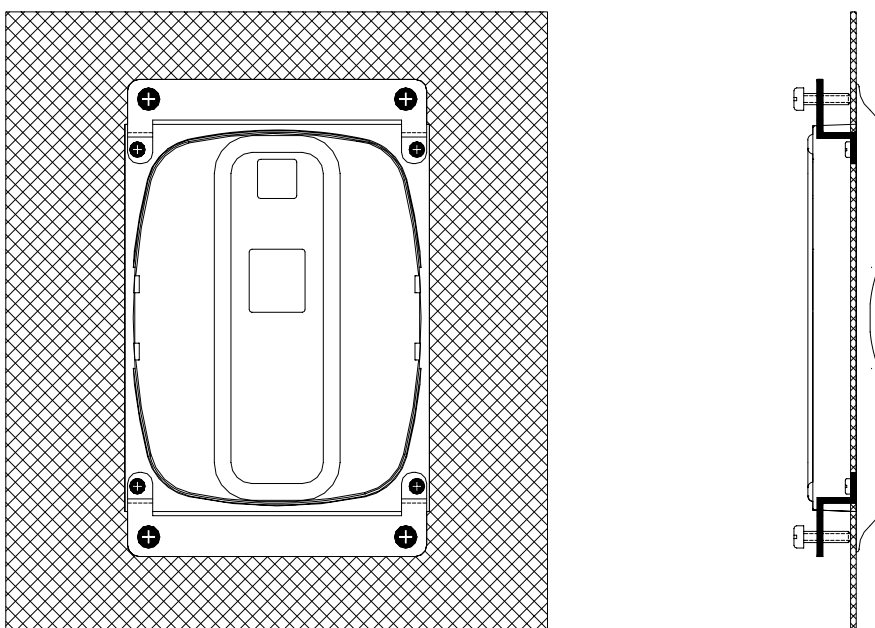
FULLY TIGHTEN THE SELF-TAPPING SCREWS ONLY AFTER INTRODUCING THE FRAME INTO THE SLOT PIERCED ON THE MOUNTING PANEL (see paragraph 2.1).



2.4. Fixing M4 Screws for the Frame and Bracket Fastening

Once fixed to the metal brackets, M4 screws allow to tighten the frame to the mounting panel. Tighten the screws after positioning and centring the frame on the mounting panel.

IMPORTANT: THE SLOT FOR THE WIRE CONNECTION TO THE KEYPAD MUST BE TURNED UPWARD.



2.5. Connecting the Keypad Remoting Wire

After the keypad has been removed from the inverter, replace the keypad wire with the extension wire (L = 300 or 500 cm) supplied. If the inverter is not provided with the keypad, only connect the extension wire.

The wire end ready for the grounding potential (yellow/green wire with loop lugs) is to be connected to the keypad; the other wire end (with an RJ45 connector) is to be connected to the inverter.

Grounding is to be made by bringing a special yellow/green wire from a position in the control panel with that potential towards the position of the keypad installed in the control panel.

Terminate the wire with loop lugs and join it to the extension wire with a special screw and nut.

You can also fix the grounding wire of the keypad directly to the mounting support at this potential next to the keypad.